

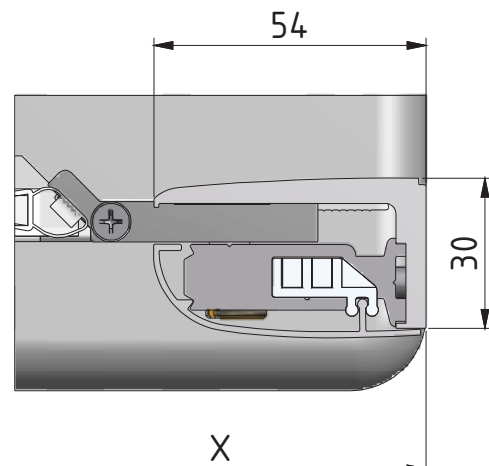
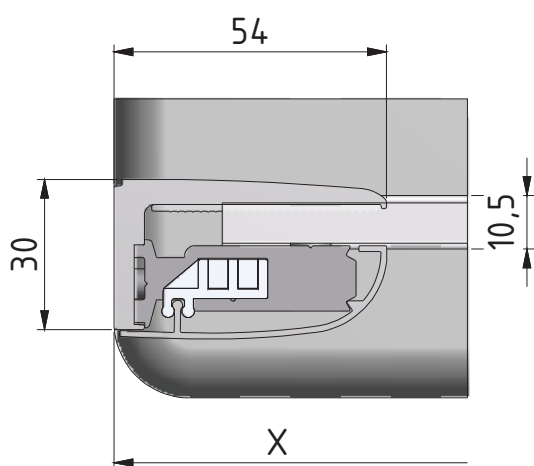
I.

X

II.

I.

II.



.	X (MIN-MAX) mm
800	770-820
900	870-920
1000	970-1020
1100	1070-1120
1200	1170-1220